

# TREMLOCK<sup>®</sup>

## “U” PANEL

### PRODUCT INFORMATION

#### Composition and Material:

TremLock “U” panels roof & wall system are factory roll formed 24 or 26 gauge Galvalume steel, zinc coated by hot-dip process per ASTM A792/A792M. The Galvalume panel is coated with Kynar 500 / Hylar 5000. Refer to color chart for available colors.

#### Basic Use:

TremLock “U” panel is an exposed roof and wall panel. TremLock “U” panel can be used as an exterior wall cover or roof panel. TremLock “U” Panel is also used extensively as a liner panel. A variety of fastener options are available to meet the needs of appearance and different substrate attachment.

#### System Design:

TremLock “U” panels are designed with a 36” coverage, up to 40’ in length with six major ribs spaced 6” on center. TremLock “U” panel rib height 47/64” and can installed at 2:12 minimum slope. Tape sealant is required on all seam side laps.

#### Application Data:

TremLock “U” panels are installed over solid substrate or spanning members (hat channels). All exposed fasteners shall be pre-painted to match roof or wall panel colors. For more detailed information refer to installation guidelines

#### Finish and Color:

TremLock “U” panels with factory applied finish. Topside: Full - strength 70% Kynar 500 or Hylar 5000 resin system of 1.0 mil (.025 mm) total dry film thickness. Underside: Wash coat of 0.3 – 0.4 mil dry film thickness. Refer to color chart for available colors.

### PANEL OPTIONS

#### Panel Width:

37 11/16” (26 Ga.) Non-Purlin Bearing - 41 9/16” Coil

39 1/4” (26 Ga.) Purlin Bearing - 43” Coil

Panel Coverage: 36”

Standard Panel Length: Up to 40’

Please inquire for longer lengths.

Rib Height: 47/64”

Major Rib Spacing: 6” on center.

Minimum Slope: 2:12

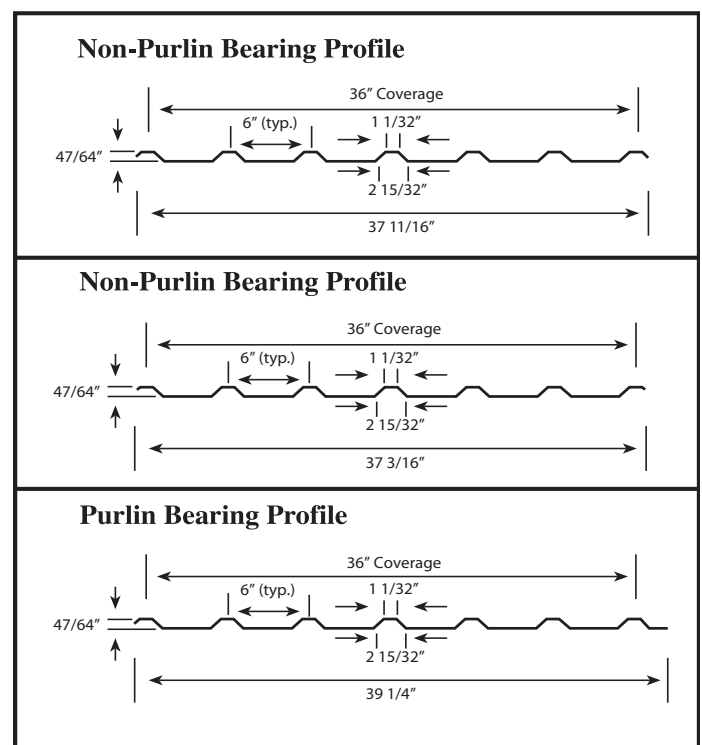
Tape sealant is required on seam (side laps)

Substrate: Galvalume

Paint System: Kynar 500<sup>®</sup>

Gauge: 26 and 24

(\*22 GA Available, contact the Tremco Metal Group for details)



### **AVAILABILITY AND COST:**

Contact your local Tremco Roofing Representative for pricing and availability. For the name and number of your local representative, call the Roofing Division at 216/292-5000.

### **MAINTENANCE:**

Your local Tremco Roofing Representative can provide you with effective maintenance procedures, which may vary depending upon specific conditions. Periodic inspections, early repairs and preventive maintenance are all part of a sound roof program.

### **GUARANTEE/WARRANTY:**

Tremco Incorporated warrants TremLock U Panel metal system to be free of defects and to meet published physical properties when tested according to ASTM and Tremco standards. Under warranty, any TremLock U Panel product that is proved to be defective when applied in accordance to our written instructions, and in applications recommended by Tremco as suitable for this product will be replaced with like product at no charge. **THIS IS BUYER'S SOLE AND EXCLUSIVE REMEDY.**

All claims concerning product defects must be made in writing within twelve (12) months of shipment. The absence of such claims in writing during this period will constitute a waiver of all claims with respect to such product.

This warranty shall be IN LIEU of any other warranty, express or implied, including but not limited to, any implied warranty of MERCHANTABILITY OR FITNESS FOR A PARTICULAR PURPOSE.

### **TECHNICAL SERVICES:**

Your local Tremco Representative, working with the Technical Service staff, can help analyze conditions and needs to develop recommendations for special applications. The services of the Tremco Research Center, which has earned a unique reputation in weatherproofing technology, complement and extend the services of the Tremco Technical Service Staff.

### **STATEMENT OF POLICY AND RESPONSIBILITY:**

Tremco takes responsibility for furnishing quality materials and for providing specifications and recommendations for their proper installation.

As neither Tremco itself or its Representatives practice architecture or engineering, Tremco offers no opinion on, expressly disclaims any responsibility for the soundness of any structure on which its products may be applied. If questions arise as to the soundness of a structure or its ability to support a planned installation properly, the Owner should obtain the opinion of competent structural engineers before proceeding. Tremco accepts no liability for any structural failure or for the resultant damages, and no Tremco Representative is authorized to vary this disclaimer.

---

Kynar 500 is a registered trademark of Elf Autochem North America, Inc.  
Hylar 5000 is a registered trademark of Ausimont USA, Inc.  
TremLock is a registered trademark of Tremco Incorporated

An **RPM** Company

**TREMCO**  
ROOFING & BUILDING MAINTENANCE

3735 Green Road  
Beachwood, OH 44122  
216-292-5000  
220 Wicksteed Ave  
Toronto, ONT M4H 1G7  
416-421-3300

Rev 2/12